

DET Wall Cabinets

DESCRIPTION

Our Sframe™ DET Wall Cabinets are designed for wall mounting of your networking and telecommunications equipment

FEATURES



removable side panels with 92380 lock

rack sizes from 12U up to 27U



rugged frame to support heavy loads



SPECIFICATIONS

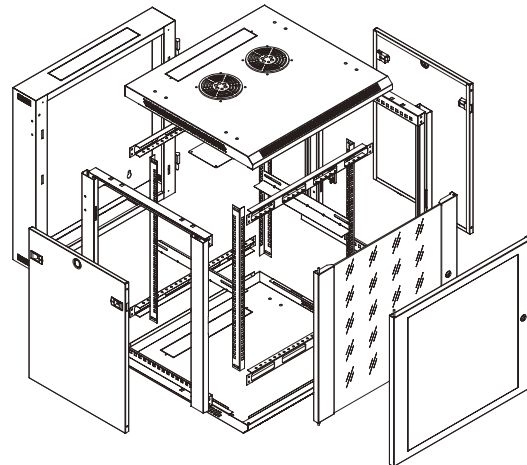
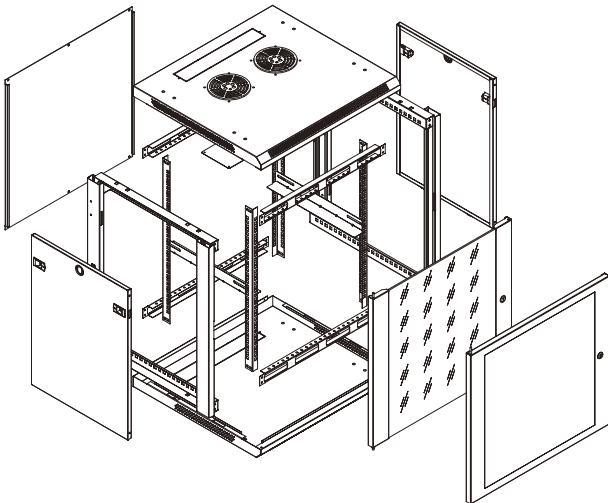
- 19-inch mounting width suitable for most networking equipment
- Conforms to industry standard ANSI/EIA-310-D and IEC 60297-3 mounting configuration
- Up to 61kg (135lbs) static load capacity
- Body and frame fabricated from cold rolled steel
- Matte black powder-coated finish (also available in white)
- All door/side panel locks are coded to L&F 92380 (180 Style)

OPTIONS

Sframe™ Wall Cabinets are offered with either single section or double section design depending on use case

Option: Single Section

Option: Double Section



Images, data, and content © 2015, 2016 Davis Legend. All rights reserved.



ORDER INFORMATION

Sframe™ DET Wall Cabinets are offered in the following standard configurations

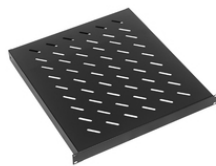
RACK UNITS	SECTIONS	DEPTH	PART NUMBER	DOOR
12U	Single	600mm (23.62 inches)	DLDET12U660	Perspex
	Double	700mm (27.56 inches)	DLDET12U670	
18U	Single	600mm (23.62 inches)	DLDET18U660	
	Double	700mm (27.56 inches)	DLDET18U670	
27U	Single	600mm (23.62 inches)	DLDET27U660	

• Custom configurations also available upon request, please contact our Sales team for more information.

Optional Accessories



2-Way Roof Mount Fan Kit
SCA-UCST-03-CBK



Shelf for 660/670mm Rack
SUA-FSST-02-60-CBK



370*70mm Brush Cable Entry
SWA-BBST-01-CBK



8-Way Horizontal Power Rail
DPU-EHA-1U-080210-06-CSI

