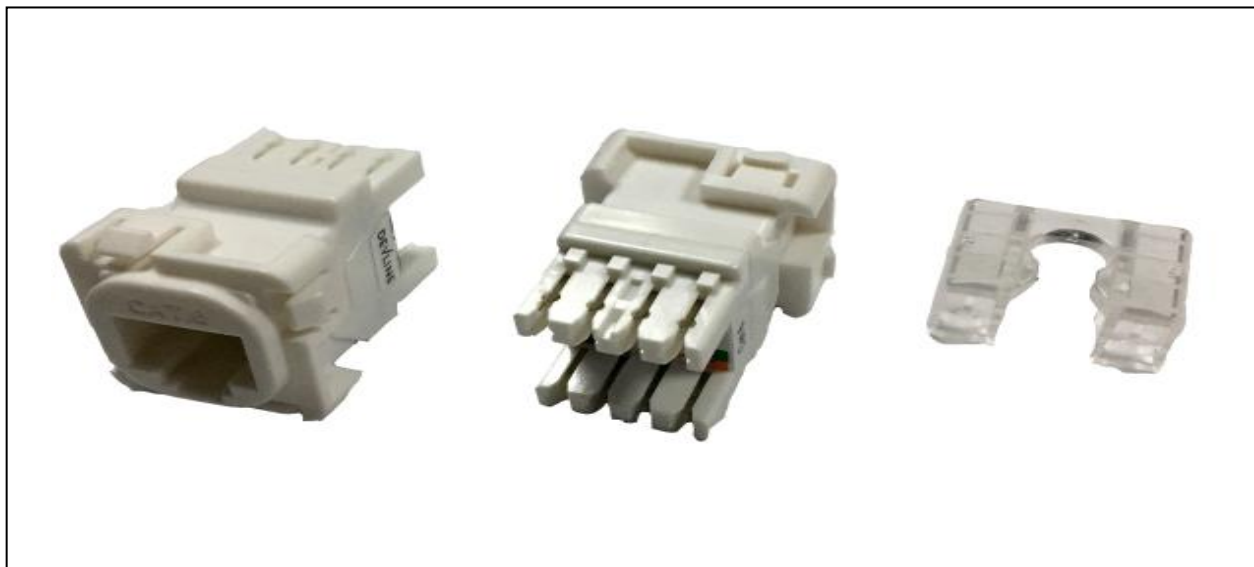
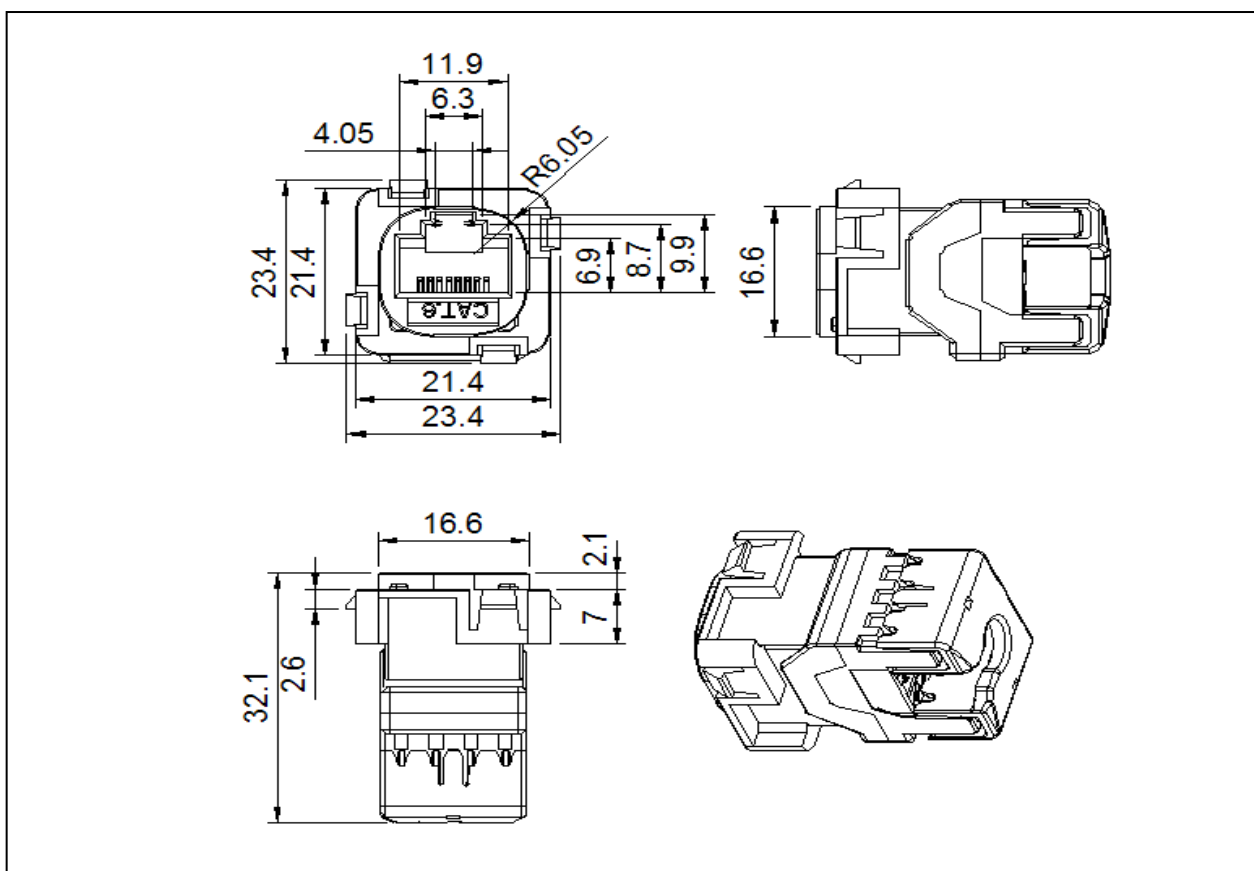


[DKJ-C6U-03-CWH]



[Product Structure Diagram]



[Product Description]

- Surpass all CAT6 performance requirements,
- Comply with Gigabit Ethernet application systems,
- Providing up to 350MHz available bandwidth,

[Technical Characteristics]

- Unique exterior design, compact and useful.
- Unique PCB circuit board design reduces EMI/RFI interference, low attenuation loss and high return loss.
- The outer caps are lock designed, avoiding overbending and falling of wire, providing protection for conductors.
- Phosphor bronze IDC clips ensure over 250 terminations,
- Matched with 23 AWG wires, phosphor bronze contact with 50μ” gold plate, with a durability of 1500 matching recycles.

Description	Parameter
Contact resistance(max)	100mΩ
Insulation resistance (min)	500MΩ
Return loss (dB)	4.8dB

[Packaging]

PART #	Description	Color	Inner Box	Outer Box	CTN SIZE(L*W*H)	Weight
DKJ-C6U-03-CWH	Cat6 unshielded keystone jacks	White	25PCS	250PCS	53.5*31.3*23.4	4kg



Cable ID: DKJ-C6U-03-CWH

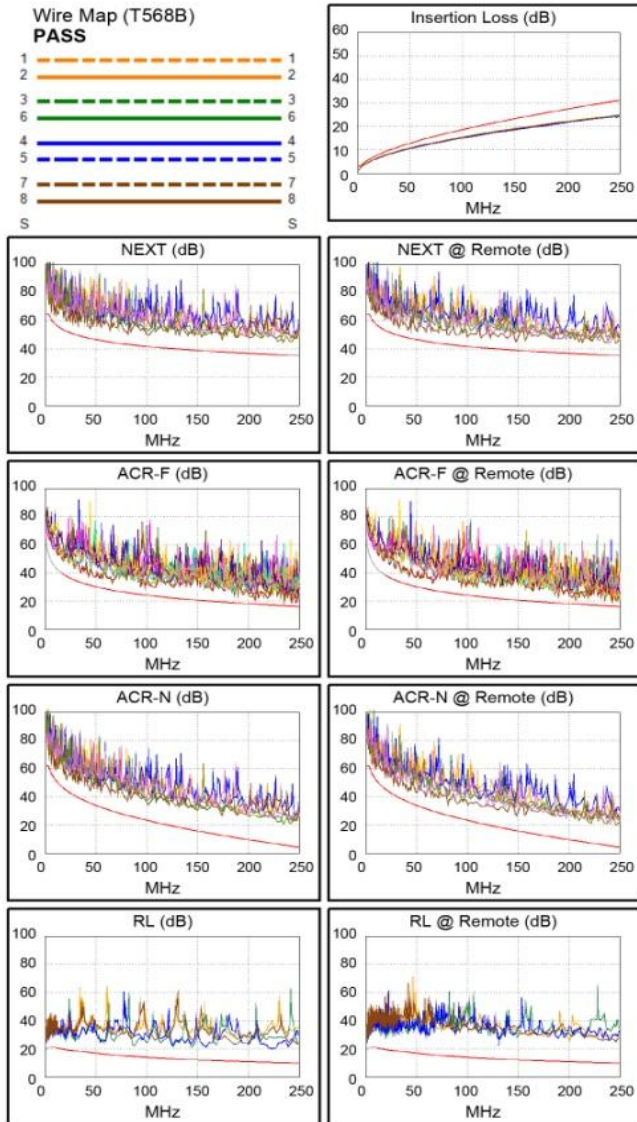
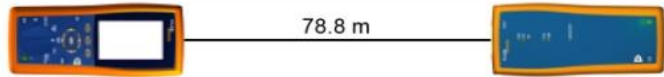
Date / Time: 10/07/2016 01:28:58 PM
Headroom 4.7 dB (NEXT 36-45)
Test Limit: TIA Cat 6 Perm. Link
 Cable Type: Cat 6 U/UTP

Operator: Your Name
 Software Version: 2.7700
 Limits Version: 1.9400
 NVP: 69.0%

Test Summary: PASS

Model: DTX-1800
 Main S/N: 1342547
 Remote S/N: 1342548
 Main Adapter: DTX-PLA002
 Remote Adapter: DTX-PLA002

Length (m), Limit 90.0	[Pair 45]	78.8
Prop. Delay (ns), Limit 498	[Pair 12]	398
Delay Skew (ns), Limit 44	[Pair 12]	17
Resistance (ohms)	[Pair 12]	12.3
Insertion Loss Margin (dB)	[Pair 12]	6.1
Frequency (MHz)	[Pair 12]	250.0
Limit (dB)	[Pair 12]	31.1



	Worst Case Margin		Worst Case Value	
	MAIN	SR	MAIN	SR
PASS				
Worst Pair	36-45	36-45	36-78	45-78
NEXT (dB)	6.5	4.7	7.7	8.2
Freq. (MHz)	20.9	81.3	241.5	239.5
Limit (dB)	52.8	43.3	35.6	35.6
Worst Pair	45	45	78	36
PS NEXT (dB)	7.7	5.6	8.7	7.6
Freq. (MHz)	20.8	81.3	241.5	221.5
Limit (dB)	50.4	40.8	33.0	33.6
PASS				
Worst Pair	45-36	36-45	45-36	36-45
ACR-F (dB)	2.4	2.3	2.7	2.9
Freq. (MHz)	206.5	206.5	246.5	242.5
Limit (dB)	17.9	17.9	16.4	16.5
Worst Pair	36	45	36	45
PS ACR-F (dB)	5.1	5.1	5.3	5.2
Freq. (MHz)	206.5	206.5	246.5	246.5
Limit (dB)	14.9	14.9	13.4	13.4
N/A				
Worst Pair	36-45	36-45	36-78	45-78
ACR-N (dB)	7.4	6.4	13.9	14.3
Freq. (MHz)	6.4	6.4	241.5	239.5
Limit (dB)	56.5	56.5	5.1	5.3
Worst Pair	36	36	78	36
PS ACR-N (dB)	8.6	7.8	14.9	15.8
Freq. (MHz)	6.4	6.4	241.5	246.0
Limit (dB)	54.2	54.2	2.5	2.0
PASS				
Worst Pair	36	36	45	78
RL (dB)	6.9	10.2	9.5	15.1
Freq. (MHz)	29.5	20.4	223.5	246.0
Limit (dB)	18.7	19.5	10.5	10.1

Compliant Network Standards:
 10BASE-T 100BASE-TX 100BASE-T4
 1000BASE-T ATM-25 ATM-51
 ATM-155 100VG-AnyLan TR-4
 TR-16 Active TR-16 Passive