

UNIVERSAL CANTILEVER SHELF

DESCRIPTION

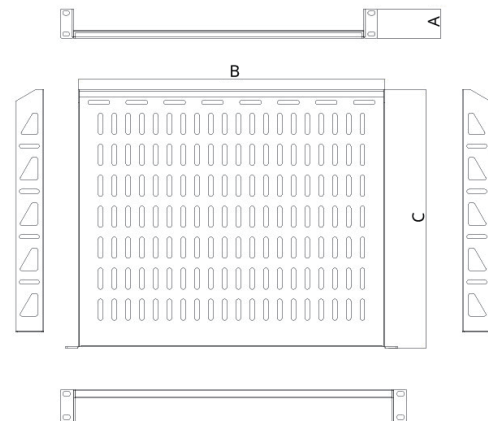
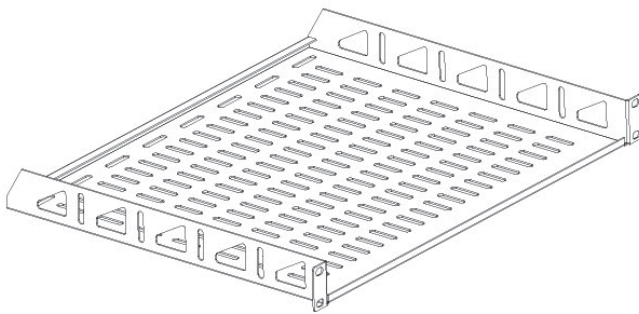
These Cantilever shelves are suited to all Sharkrack's ranges of cabinets. This product is made from high quality, cold-rolled steel. They comply with 19" device installation standards and they are also suitable for the mounting of various servers, network switching equipment, UPS and Telecommunications devices.



SPECIFICATIONS

- Cold rolled steel.
- Complies with 19" device installation standards.
- Weight capacity 25kgs.
- 1.2mm steel thickness.
- Colour: black.

DIMENSIONS



CONFIGURATIONS

PART NUMBER	DESCRIPTION	HEIGHT (A)	WIDTH (B)	SHELF DEPTH(C)
SUACS011U	SharkRack Universal Cantilever Rack Shelf 375mm 1U	44.15MM	44.5MM	375MM
SUACS012U	SharkRack Universal Cantilever Rack Shelf 375mm 2U	88.6MM	44.5MM	375MM
SUACS013U	SharkRack Universal Cantilever Rack Shelf 375mm 3U	133.05MM	44.5MM	375MM
SUACS014U	SharkRack Universal Cantilever Rack Shelf 425mm 4U	177.5MM	44.5MM	375MM

